



FURON[®]
Pure Performance

Furon[®] UPX Valve

Pneumatically Actuated 2-Way Valve (1/4", 1/2" & 3/4" Orifice)

Description

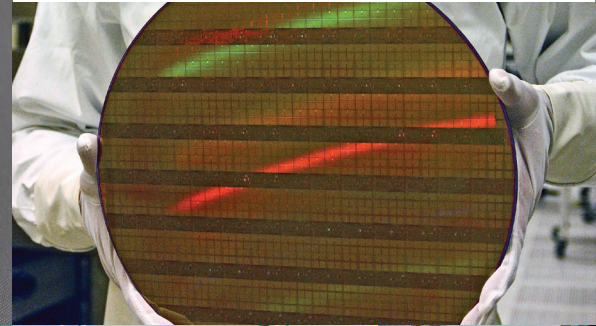
Furon UPX Valves are specifically designed for safe and reliable transfer of highly aggressive chemicals, including concentrated HF and HCl. UPX Valves are specifically designed for safe and reliable transfer of highly aggressive chemicals, including concentrated HF and HCl. Our proprietary technology protects the valve's working components from degradation due to chemical attacks. The wetted flow path constructed from 100% virgin PFA, assuring compliance with the highest purity standards. Additionally, the UPX Valves are capable of handling a wide variety of abrasive slurries and have a long track record of success in slurry applications.

Furon UPX Valves offer a 24 month factory warranty.

Applications

Furon UPX Valves are ideal for use in the semiconductor industry, or other applications requiring ultra-high purity and/or superior chemical resistance.

- Designed for use in ultrapure deionized water and aggressive chemical applications
- Suitable for use in abrasive slurry
- Compatible with concentrated HF and HCl
- Market applications include Semiconductor, Flat Panel, Photovoltaic, and Chemical Processing



Features and Benefits

- Superior life expectancy over competitive valves
- Suitable for use in all chemicals, including concentrated HF and HCl
- Suitable for use in abrasive slurries
- 100% virgin PTFE/PFA flow path
- Double diaphragm containment with standard leak detection port
- No exposed metallics
- Integral swivel base for freedom and ease of mounting
- Visual position indicator standard
- Furon UPX Valve designs have been tested for more than 3 millions cycles

ASK AN ENGINEER


SAINT-GOBAIN

Furon UPX Valve

Part Number	End Connection	Orifice (in.)	Port Size (in.)	A	B	C	ØD	E
UPX2-F44-NC	Flaregrip® II	1/4	1/4	4.30 (109.22 mm)	1.38 (35.05 mm)	3.38 (85.85 mm)	2.12 (53.85 mm)	2.72 (69.09 mm)
UPX2-F46-NC	Flaregrip® II	1/4	3/8	4.70 (119.38 mm)				
UPX2-744-NC	Fusebond™	1/4	1/4	4.90 (124.46 mm)				
UPX2-F88-NC	Flaregrip® II	1/2	1/2	5.6 (142.24 mm)	1.70 (43.18 mm)	3.97 (100.84 mm)	2.88 (73.15 mm)	3.62 (91.95 mm)
UPX2-F812-NC	Flaregrip® II	1/2	3/4	5.90 (149.86 mm)				
UPX2-788-NC	Fusebond™	1/2	1/2	5.60 (142.24 mm)				
UPX2-7812-NC	Fusebond™	1/2	3/4	5.90 (149.86 mm)	1.90 (48.26 mm)	4.24 (107.70 mm)	3.40 (86.36 mm)	4.20 (106.68 mm)
UPX2-S30088-NC	Super 300®	1/2	1/2	5.50 (139.70 mm)				
UPX2-S300812-NC	Super 300®	1/2	3/4	7.20 (182.88 mm)				
UPX2-F1212-NC	Flaregrip® II	3/4	3/4	6.30 (160.02 mm)	1.90 (48.26 mm)	4.24 (107.70 mm)	3.40 (86.36 mm)	4.20 (106.68 mm)
UPX2-F1216-NC	Flaregrip® II	3/4	1	6.90 (175.26 mm)				
UPX2-71212-NC	Fusebond™	3/4	3/4	5.90 (149.86 mm)				
UPX2-71216-NC	Fusebond™	3/4	1	5.80 (147.32 mm)	1.90 (48.26 mm)	4.24 (107.70 mm)	3.40 (86.36 mm)	4.20 (106.68 mm)
UPX2-S300-1212-NC	Super 300®	3/4	3/4	8.00 (203.20 mm)				
UPX2-S300-1216-NC	Super 300®	3/4	1	8.00 (203.20 mm)				

HCl more than 2.1 million cycles
HF more than 1.1 million cycles

Standard Options

- PFA Flare nuts (add -3)
- Other end connection types available. [Please consult factory](#) for:
 - FNPT
 - Sanitary Flange
 - Tube End
 - Others not listed
- Alternative flow patterns ([please consult factory >>](#))
- High Temperature version is available ([please consult factory >>](#))
- Normally Open valve
 - Replace NC by NO on the provided PN

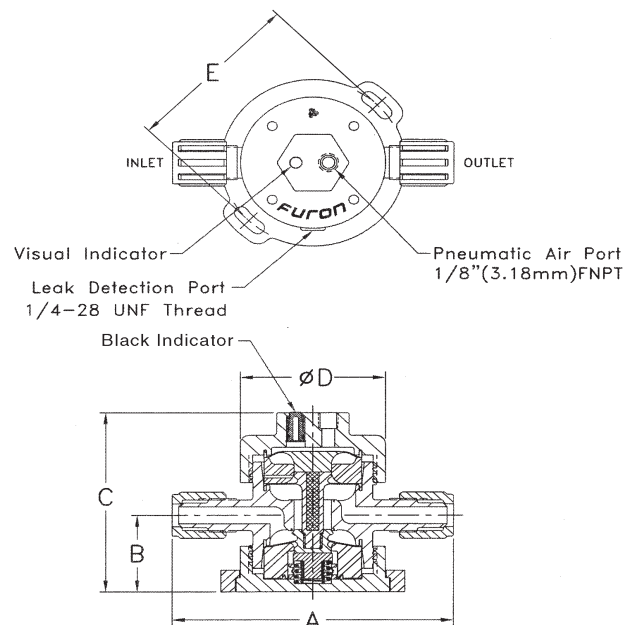
Operating Specifications

Operating Pressure	100 psig (6.9 bar) at room temperature
Back Pressure	100 psig (6.9 bar) at room temperature
Flow	C _v 0.8 (1/4"), C _v 3.2 (1/2"), C _v 7.0 (3/4")
Max Operating Temperature*	230°F (110°C)**
Actuator Pressure	70 - 90 PSIG (4.8 - 6.2 bar)
Body	PFA
Diaphragm	Modified PTFE
Top Cap	ETFE

* [Please consult factory](#) for higher temperature

**It's recommended to use a FuseBond™ or Nippon Pillar connection over flare fitting for high temperature application

U.S. Patents 5,967,173 & 5,261,442



Saint-Gobain Performance Plastics
7301 Orangewood Avenue
Garden Grove, CA 92841
1-800-833-5661
Tel: (714) 630-5818
Fax: (714) 688-2614

www.processsystems.saint-gobain.com

NOTE: The data and details given in this document are correct and up to date. This document is intended to provide information about the product and possible applications. This document is not the product specification and does not provide specific features, nor does it guarantee product performance in specific applications. Saint-Gobain cannot anticipate or control the conditions of the field and for this reason strongly recommends that practical tests are conducted to ensure that the product meets the requirements of a specific application.

Furon®, FlareGrip® and FuseBond™ are registered trademarks of Saint-Gobain Performance Plastics. Super 300® is a registered trademark of Nippon Pillar Packaging Co. LTD.

IMPORTANT: It is the user's responsibility to ensure the suitability and safety of Saint-Gobain Performance Plastics products for all intended uses and that the components to be used comply with all applicable regulatory requirements. Saint-Gobain Performance Plastics assumes no responsibility for any product failures that occur due to misuse arising out of the design, fabrication or application of the products into which they are incorporated.

WARRANTY: For a period of 24 months from the date of first sale, Saint-Gobain Performance Plastics warrants this product to be free of defects in materials and workmanship. The only obligation under any applicable product warranty will be to replace any portion proving defective, or at our option, to refund the purchase price thereof. THIS IS THE EXCLUSIVE WARRANTY AND IS EXPRESSLY IN LIEU OF ANY AND ALL OTHER OBLIGATIONS, GUARANTEES, WARRANTIES AND REPRESENTATIONS. SAINT-GOBAIN PERFORMANCE PLASTICS DISCLAIMS ALL IMPLIED WARRANTIES OF MERCHANTABILITY AND FITNESS FOR A PARTICULAR PURPOSE.