

# Sani-Tech® SIB®3 Smooth Inner Bore Welding System



## The Ultimate in High Purity, Made Simple

Sani-Tech® SIB®3 Welding System for Sani-Tech® High Purity Piping from Saint-Gobain is rapid, reliable and yields repeatable results. The SIB®3 fusion system is simple to operate, utilizing a PC-based interface with a user-friendly touchscreen with onscreen prompts and direction. The automated weld programs are initiated with a touch, making system installation fast and easy. With the SIB®3 welder no borescoping is needed for the weld inspection. Only an external, visual inspection is required. SIB® technology ensures a smooth inner pipe surface for minimal maintenance, with no areas for entrapment or beads to obstruct flow.

Sani-Tech® High Purity Piping Systems utilize high performance, high purity materials and joining methods. Pipe and components are available in natural virgin polypropylene or PVDF. Sani-Tech SIB® systems are easy to install and eliminate maintenance issues associated with stainless steel, such as de-rouging and passivation.

## BIOPHARMACEUTICAL PRODUCTS

*Engineered for high purity water delivery piping systems*

### Features/Benefits

- SIB® (Smooth Inner Bore) fusion provides beadless welds
- Eliminates entrapment points, which reduces the risk of biofilm formation and flow restriction
- The quickest weld cycles of any beadless system on the market
- Reliable and repeatable results
- Lightweight weld head enables remote welds
- Prints labels and stores weld validation data
- Designed specifically for use with all Sani-Tech® PVDF & polypropylene pipe, valves and components
- Weld heads available for: 3/4", 1", 1-1/2", 2", 2-1/2" and 3" pipe dimensions based on ASME BPE standard
- Integral electro-pneumatic control cable with robust connectors
- Complete line of valves, pipes, fittings, faucets and accessories

### Typical Applications

- USP purified water distribution
- WFI distribution
- RO/DI water distribution
- Dialysis water
- Biopharmaceutical processes
- Metal sensitive and corrosive media transfer

## Sani-Tech® SIB®3 Smooth Inner Bore Welder Sizes

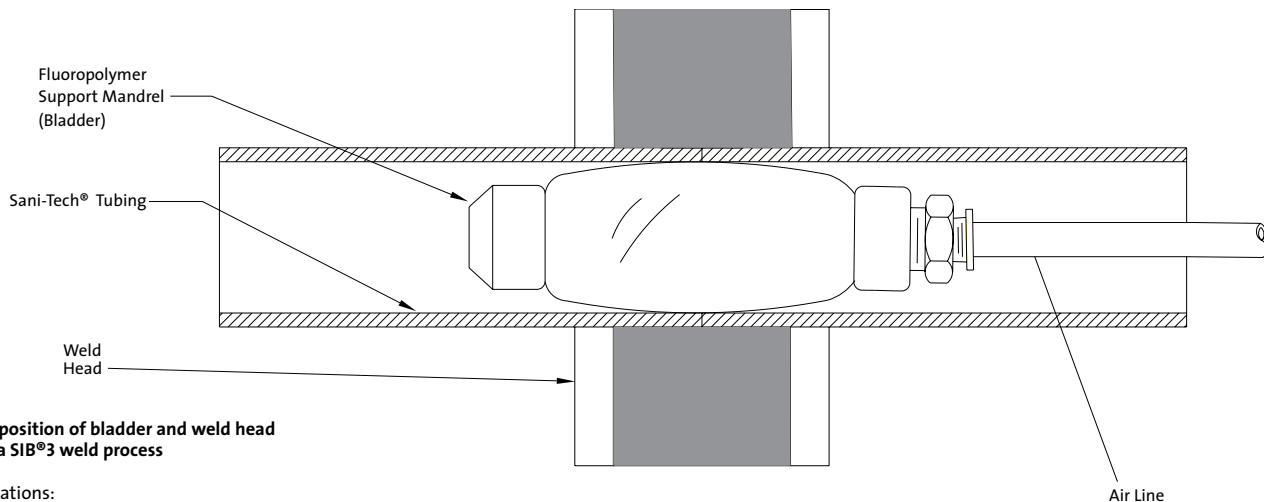
Description	SG Part Number
SIB3 Control Unit, 110V/220V	STSIB3
Weld Head, 3/4", 110V	STSIB3-H075-110V
Weld Head, 1", 110V	STSIB3-H100-110V
Weld Head, 1 - 1/2", 110V	STSIB3-H150-110V
Weld Head, 2", 110V	STSIB3-H200-110V
Weld Head, 2 - 1/2", 110V	STSIB3-H250-110V
Weld Head, 3", 110V	STSIB3-H300-110V
Weld Head, 3/4", 220V	STSIB3-H075-220V
Weld Head, 1", 220V	STSIB3-H100-220V
Weld Head, 1 - 1/2", 220V	STSIB3-H150-220V
Weld Head, 2", 220V	STSIB3-H200-220V
Weld Head, 2 - 1/2", 220V	STSIB3-H250-220V
Weld Head, 3", 220V	STSIB3-H300-220V
Spare Cable, Controller to Weld Head	STSIB3-CABLE
Power Cord, 110V US	STSIB3-POWER110V
Power Cord, 220V	STSIB3-POWER220V

## SIB®3 System with 4 Weld Heads, 110V

STSIB3-110V	Includes
	SIB®3 Control Unit
	Weld Head, 3/4"
	Weld Head, 1"
	Weld Head, 1-1/2"
	Weld Head, 2"
	Cable

## SIB®3 System with 4 Weld Heads, 220V

STSIB3-220V	Includes
	SIB®3 Control Unit
	Weld Head, 3/4"
	Weld Head, 1"
	Weld Head, 1-1/2"
	Weld Head, 2"
	Cable



Typical position of bladder and weld head during a SIB®3 weld process

#### Specifications:

- Power: 110-220V/50-60Hz
- Compressed air supply: 60-100 PSIG clean dry air
- Integral electro/pneumatic control cable length: 15'

Caution: Surfaces of the weld head are hot during operation and proper training and PPE are required. Factory certification is required for operation of the SIB®3 welder. Further information can be found in the SIB®3 welder operation manual.

Sani-Tech® and SIB® are registered trademarks.

### BIOPHARMACEUTICAL PRODUCTS

*Come through clean.™*

**SANI-TECH® PRODUCTS ARE NOT FOR USE AS AN IMPLANT MATERIAL**

#### Saint-Gobain Performance Plastics

460 Milltown Road  
Bridgewater, NJ 08807  
Tel: (800) 435-3992  
Tel: (908) 218-8888  
Fax: (908) 218-9009



**IMPORTANT:** It is the user's responsibility to ensure the suitability and safety of Saint-Gobain Performance Plastics products for all intended uses. Laboratory and clinical tests must be conducted in accordance with applicable regulatory requirements in order to determine the safety and effectiveness for use of products in any particular application.

For a period of 6 months from the date of first sale, Saint-Gobain Performance Plastics Corporation warrants this product to be free from defects in materials and workmanship. Our only obligation will be to replace any portion proving defective, or at our option, to refund the purchase price thereof. User assumes all other risk, if any, including the risk of injury, loss or damage, direct or consequential, arising out of the use, misuse, or inability to use, this product. THIS WARRANTY IS IN LIEU OF THE WARRANTIES OF MERCHANTABILITY, FITNESS FOR PARTICULAR PURPOSE, AND ALL OTHER WARRANTIES, EXPRESSED OR IMPLIED. No deviation is authorized.

Saint-Gobain Performance Plastics Corporation assumes no obligations or liability for any advice furnished by it, or for results obtained with respect to those products. All such advice is given and accepted at the buyer's risk.