

0.2 μm STERILIZING CAPSULE FILTER

ASI offers MDI 0.2 μm sterilizing grade filters on standard bag sizes from 1 Liter to 200 Liter 2-Dimensional bags. ASI can produce any size and any type of bag upon request. ASI can also supply any filter and any size upon request.



0.2 µm Sterilizing Capsule Filter

ASI offers MDI 0.2 µm sterilizing grade filters on standard bag sizes from 1 Liter to 200 Liter 2-D bags.

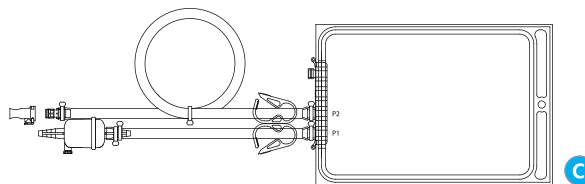
ASI can produce any size and any type of bag upon request. ASI can also supply any filter and any size upon request.



Port 1: 3/8" ID x 5/8" OD C-Flex 374
Tubing (12") Pinch Clamp, 0.2µm
PES Membrane Capsule Filter

Port 2: 3/8" ID x 5/8" OD C-Flex 374
Tubing (36") Pinch Clamp,
MPC Male + Cap

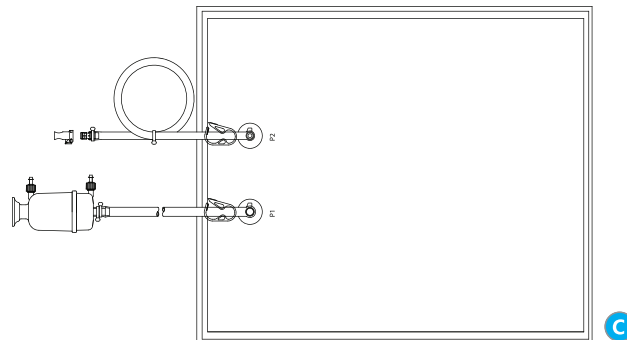
Port 3: Injection Site



ASI Catalog #	Size	Tank #
SS00158-I	1 Liter	N/A
SS00159-I	5 Liter	TK-0005
SS00160-I	10 Liter	TK-0010
SS00161-I	20 Liter	TK-0020

Port 1: 1/2" ID x 3/4" OD C-Flex 374 Tubing
(36") Pinch Clamp, 0.2µm PES
Membrane Capsule Filter

Port 2: 3/8" ID x 5/8" OD C-Flex 374 Tubing
(36") Pinch Clamp, MPC Male + Cap



ASI Catalog #	Size	Tank #
SS00162-I	50 Liter	TK-0050-05
SS00163-I	100 Liter	TK-0100-05
SS00164-I	200 Liter	TK-0200-05