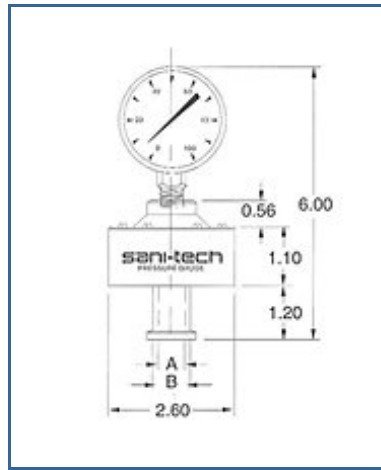
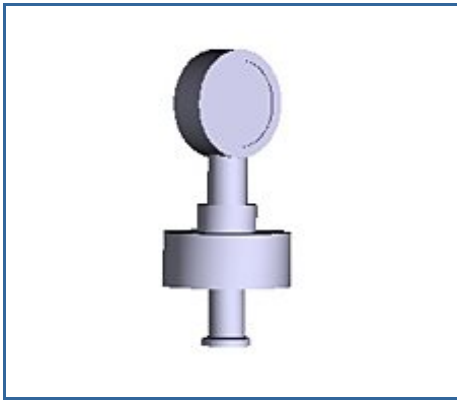


Saint-Gobain



Sani-Tech® Vertical Pressure Gauge Guard

- Isolates the metallic gauge from sensitive media
- Protects the gauge from corrosive media
- Sanitary connection sizes: 3/4", 1", 1-1/2", and 2"
- Available in polypropylene or PVDF materials



1

Item #	Size	A	B	Material	CAD
TVG075	MINI	0.560 in	0.750 in	Polypropylene	
TVG0100	MAXI	0.856 in	1.106 in	Polypropylene	
TVG0150	1 1/2	1.356 in	1.606 in	Polypropylene	
TVG0200	2	1.856 in	2.106 in	Polypropylene	
KVG075	MINI	0.560 in	0.750 in	PVDF	
KVG0100	MAXI	0.856 in	1.106 in	PVDF	
KVG0150	1 1/2	1.356 in	1.606 in	PVDF	
KVG0200	2	1.856 in	2.106 in	PVDF	

