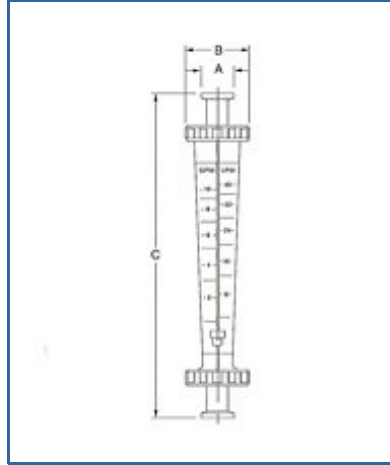
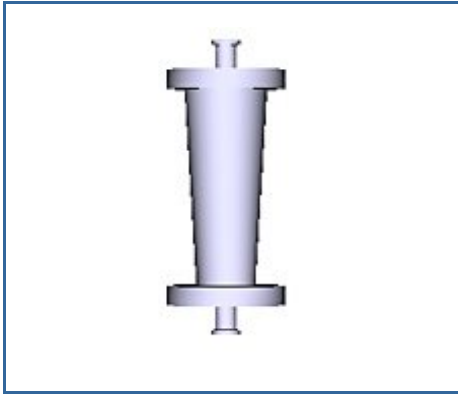


Saint-Gobain



Sani-Tech® Flow Meter

- Accurately measure the media flow rate
- Sanitary connection sizes: 3/4", 1", 1-1/2", and 2"
- PVDF end connections with a polysulfone sight gauge



1

Item #	Size	A	B	C	Flow	Material	CAD
TFM075	MINI	0.992 in	4.000 in	10.000 in	1 to 10 gpm	Polypropylene	
TFM100	MAXI	1.500 in	4.000 in	14.120 in	2 to 20 gpm	Polypropylene	
TFM150	1 1/2	1.984 in	4.800 in	19.500 in	10 to 80 gpm	Polypropylene	
TFM200	2	2.516 in	4.800 in	19.500 in	15 to 130 gpm	Polypropylene	
KFM075	MINI	0.992 in	4.000 in	10.000 in	1 to 10 gpm	PVDF	
KFM100	MAXI	1.500 in	4.000 in	14.120 in	2 to 20 gpm	PVDF	
KFM150	1 1/2	1.984 in	4.800 in	19.500 in	10 to 80 gpm	PVDF	
KFM200	2	2.516 in	4.800 in	19.500 in	15 to 130 gpm	PVDF	

