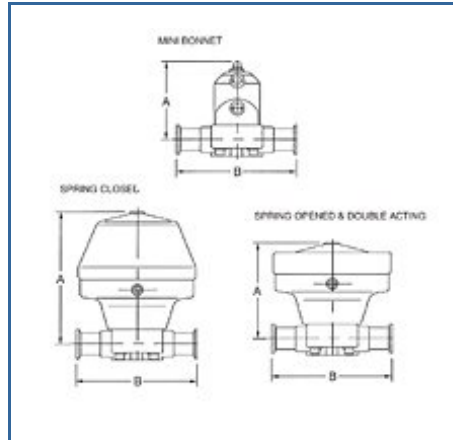


Saint-Gobain



Sani-Tech® Air Actuated Diaphragm Valve






1

Item #	Tri-Clamp Size	Type	A	B	Cv	Diaphragm Material	CAD
TDV075SC	MINI	Spring closed	5.650 in	4.700 in	4.00 gpm	EPDM	
TDV075SO	MINI	Spring open	4.230 in	4.700 in	4.00 gpm	EPDM	
TDV075DA	MINI	Double acting	4.230 in	4.700 in	4.00 gpm	EPDM	
TDV100SC	MAXI	Spring closed	5.650 in	5.500 in	12.30 gpm	EPDM	
TDV100SO	MAXI	Spring open	4.230 in	5.500 in	12.30 gpm	EPDM	
TDV100DA	MAXI	Double acting	4.230 in	5.500 in	12.30 gpm	EPDM	
TDV100LSC	LADISH	Spring closed	5.650 in	5.650 in	12.30 gpm	EPDM	
TDV100LSO	LADISH	Spring open	4.230 in	5.650 in	12.30 gpm	EPDM	
TDV100LDA	LADISH	Double acting	4.230 in	5.650 in	12.30 gpm	EPDM	
TDV150SC	1 1/2	Spring closed	7.740 in	6.900 in	21.00 gpm	EPDM	
TDV150SO	1 1/2	Spring open	5.970 in	6.900 in	21.00 gpm	EPDM	

Item #	Tri-Clamp Size	Type	A	B	Cv	Diaphragm Material	CAD
TDV150DA	1 1/2	Double acting	5.970 in	6.900 in	21.00 gpm	EPDM	
TDV200LSC	2	Spring closed	7.740 in	7.320 in	29.20 gpm	EPDM	
TDV200LSO	2	Spring open	5.970 in	7.320 in	29.20 gpm	EPDM	
TDV200LDA	2	Double acting	5.970 in	7.320 in	29.20 gpm	EPDM	
TDV250SC	2 1/2	Spring closed	9.510 in	8.900 in	53.70 gpm	EPDM	
TDV250SO	2 1/2	Spring open	7.300 in	8.900 in	53.70 gpm	EPDM	
TDV250DA	2 1/2	Double acting	7.300 in	8.900 in	53.70 gpm	EPDM	
TDV300SC	3	Spring closed	12.950 in	15.500 in	91.00 gpm	EPDM	
TDV300SO	3	Spring open	10.500 in	15.500 in	91.00 gpm	EPDM	
TDV300DA	3	Double acting	10.500 in	15.500 in	91.00 gpm	EPDM	
KDV075SC	MINI	Spring closed	5.650 in	4.700 in	4.00 gpm	EPDM	
KDV075SO	MINI	Spring open	4.230 in	4.700 in	4.00 gpm	EPDM	
KDV075DA	MINI	Double acting	4.230 in	4.700 in	4.00 gpm	EPDM	
KDV100SC	MAXI	Spring closed	5.650 in	5.500 in	12.30 gpm	EPDM	
KDV100SO	MAXI	Spring open	4.230 in	5.500 in	12.30 gpm	EPDM	
KDV100DA	MAXI	Double acting	4.230 in	5.500 in	12.30 gpm	EPDM	
KDV100LSC	LADISH	Spring closed	5.650 in	5.650 in	12.30 gpm	EPDM	
KDV100LSO	LADISH	Spring open	4.230 in	5.650 in	12.30 gpm	EPDM	
KDV100LDA	LADISH	Double acting	4.230 in	5.650 in	12.30 gpm	EPDM	
KDV150SC	1 1/2	Spring closed	7.740 in	6.900 in	21.00 gpm	EPDM	
KDV150SO	1 1/2	Spring open	5.970 in	6.900 in	21.00 gpm	EPDM	
KDV150DA	1 1/2	Double acting	5.970 in	6.900 in	21.00 gpm	EPDM	
KDV200LSC	2	Spring closed	7.740 in	7.320 in	29.20 gpm	EPDM	

Item #	Tri-Clamp Size	Type	A	B	Cv	Diaphragm Material	CAD
<u>KDV200LSO</u>	2	Spring open	5.970 in	7.320 in	29.20 gpm	EPDM	
<u>KDV200LDA</u>	2	Double acting	5.970 in	7.320 in	29.20 gpm	EPDM	
<u>KDV250SC</u>	2 1/2	Spring closed	9.510 in	8.900 in	53.70 gpm	EPDM	
<u>KDV250SO</u>	2 1/2	Spring open	7.300 in	8.900 in	53.70 gpm	EPDM	
<u>KDV250DA</u>	2 1/2	Double acting	7.300 in	8.900 in	53.70 gpm	EPDM	
<u>KDV300SC</u>	3	Spring closed	12.950 in	15.500 in	91.00 gpm	EPDM	
<u>KDV300SO</u>	3	Spring open	10.500 in	15.500 in	91.00 gpm	EPDM	
<u>KDV300DA</u>	3	Double acting	10.500 in	15.500 in	91.00 gpm	EPDM	
<u>TDV075SCTF</u>	MINI	Spring closed	5.650 in	4.700 in	4.00 gpm	Fluoropolymer	
<u>TDV075SOTF</u>	MINI	Spring open	4.230 in	4.700 in	4.00 gpm	Fluoropolymer	
<u>TDV075DATEF</u>	MINI	Double acting	4.230 in	4.700 in	4.00 gpm	Fluoropolymer	
<u>TDV100SCTF</u>	MAXI	Spring closed	5.650 in	5.500 in	12.30 gpm	Fluoropolymer	
<u>TDV100SOTF</u>	MAXI	Spring open	4.230 in	5.500 in	12.30 gpm	Fluoropolymer	
<u>TDV100DATEF</u>	MAXI	Double acting	4.230 in	5.500 in	12.30 gpm	Fluoropolymer	
<u>TDV100LSCTF</u>	LADISH	Spring closed	5.650 in	5.650 in	12.30 gpm	Fluoropolymer	
<u>TDV100LSOTF</u>	LADISH	Spring open	4.230 in	5.650 in	12.30 gpm	Fluoropolymer	
<u>TDV100LDATEF</u>	LADISH	Double acting	4.230 in	5.650 in	12.30 gpm	Fluoropolymer	
<u>TDV150SCTF</u>	1 1/2	Spring closed	7.740 in	6.900 in	21.00 gpm	Fluoropolymer	
<u>TDV150SOTF</u>	1 1/2	Spring open	5.970 in	6.900 in	21.00 gpm	Fluoropolymer	
<u>TDV150DATEF</u>	1 1/2	Double acting	5.970 in	6.900 in	21.00 gpm	Fluoropolymer	
<u>TDV200LSCTF</u>	2	Spring closed	7.740 in	7.320 in	29.20 gpm	Fluoropolymer	
<u>TDV200LSOTF</u>	2	Spring open	5.970 in	7.320 in	29.20 gpm	Fluoropolymer	
<u>TDV200LDATEF</u>	2	Double acting	5.970 in	7.320 in	29.20 gpm	Fluoropolymer	

Item #	Tri-Clamp Size	Type	A	B	Cv	Diaphragm Material	CAD
<u>TDV250SCTF</u>	2 1/2	Spring closed	9.510 in	8.900 in	53.70 gpm	Fluoropolymer	
<u>TDV250SOTF</u>	2 1/2	Spring open	7.300 in	8.900 in	53.70 gpm	Fluoropolymer	
<u>TDV250DATE</u>	2 1/2	Double acting	7.300 in	8.900 in	53.70 gpm	Fluoropolymer	
<u>TDV300SCTF</u>	3	Spring closed	12.950 in	15.500 in	91.00 gpm	Fluoropolymer	
<u>TDV300SOTF</u>	3	Spring open	10.500 in	15.500 in	91.00 gpm	Fluoropolymer	
<u>TDV300DATE</u>	3	Double acting	10.500 in	15.500 in	91.00 gpm	Fluoropolymer	
<u>KDV075SCTF</u>	MINI	Spring closed	5.650 in	4.700 in	4.00 gpm	Fluoropolymer	
<u>KDV075SOTF</u>	MINI	Spring open	4.230 in	4.700 in	4.00 gpm	Fluoropolymer	
<u>KDV075DATE</u>	MINI	Double acting	4.230 in	4.700 in	4.00 gpm	Fluoropolymer	
<u>KDV100SCTF</u>	MAXI	Spring closed	5.650 in	5.500 in	12.30 gpm	Fluoropolymer	
<u>KDV100SOTF</u>	MAXI	Spring open	4.230 in	5.500 in	12.30 gpm	Fluoropolymer	
<u>KDV100DATE</u>	MAXI	Double acting	4.230 in	5.500 in	12.30 gpm	Fluoropolymer	
<u>KDV100LSCTF</u>	LADISH	Spring closed	5.650 in	5.650 in	12.30 gpm	Fluoropolymer	
<u>KDV100LSOTF</u>	LADISH	Spring open	4.230 in	5.650 in	12.30 gpm	Fluoropolymer	
<u>KDV100LDATE</u>	LADISH	Double acting	4.230 in	5.650 in	12.30 gpm	Fluoropolymer	
<u>KDV150SCTF</u>	1 1/2	Spring closed	7.740 in	6.900 in	21.00 gpm	Fluoropolymer	
<u>KDV150SOTF</u>	1 1/2	Spring open	5.970 in	6.900 in	21.00 gpm	Fluoropolymer	
<u>KDV150DATE</u>	1 1/2	Double acting	5.970 in	6.900 in	21.00 gpm	Fluoropolymer	
<u>KDV200LSCTF</u>	2	Spring closed	7.740 in	7.320 in	29.20 gpm	Fluoropolymer	
<u>KDV200LSOTF</u>	2	Spring open	5.970 in	7.320 in	29.20 gpm	Fluoropolymer	
<u>KDV200LDATE</u>	2	Double acting	5.970 in	7.320 in	29.20 gpm	Fluoropolymer	
<u>KDV250SCTF</u>	2 1/2	Spring closed	9.510 in	8.900 in	53.70 gpm	Fluoropolymer	
<u>KDV250SOTF</u>	2 1/2	Spring open	7.300 in	8.900 in	53.70 gpm	Fluoropolymer	

<u>Item #</u>	<u>Tri-Clamp Size</u>	<u>Type</u>	<u>A</u>	<u>B</u>	<u>Cv</u>	<u>Diaphragm Material</u>	<u>CAD</u>
<u>KDV250DATF</u>	2 1/2	Double acting	7.300 in	8.900 in	53.70 gpm	Fluoropolymer	
<u>KDV300SCTF</u>	3	Spring closed	12.950 in	15.500 in	91.00 gpm	Fluoropolymer	
<u>KDV300SOTF</u>	3	Spring open	10.500 in	15.500 in	91.00 gpm	Fluoropolymer	
<u>KDV300DATF</u>	3	Double acting	10.500 in	15.500 in	91.00 gpm	Fluoropolymer	