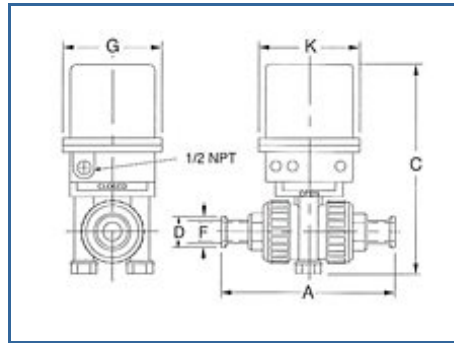


Saint-Gobain



Sani-Tech® 2-Way Electric Actuated Ball Valve



1

Item #	Size	A	C	D	Cv	Material	CAD
TBV075E	MINI	4.850 in	9.000 in	0.992 in	10.00 gpm	Polypropylene	
TBV100E	MAXI	5.200 in	10.300 in	1.500 in	40.00 gpm	Polypropylene	
TBV100LE	LADISH	5.200 in	10.300 in	1.984 in	40.00 gpm	Polypropylene	
TBV150E	1 1/2	7.250 in	11.900 in	1.984 in	100.00 gpm	Polypropylene	
TBV200E	2	7.250 in	11.900 in	2.516 in	120.00 gpm	Polypropylene	
TBV250E	2 1/2	8.450 in	11.900 in	3.047 in	120.00 gpm	Polypropylene	
KBV075E	MINI	4.850 in	9.000 in	0.992 in	10.00 gpm	PVDF	
KBV100E	MAXI	5.200 in	10.300 in	1.500 in	40.00 gpm	PVDF	
KBV100LE	LADISH	5.200 in	10.300 in	1.984 in	40.00 gpm	PVDF	
KBV150E	1 1/2	7.250 in	11.900 in	1.984 in	100.00 gpm	PVDF	
KBV200E	2	7.250 in	11.900 in	2.516 in	120.00 gpm	PVDF	

<u>Item #</u>	<u>Size</u>	<u>A</u>	<u>C</u>	<u>D</u>	<u>Cv</u>	<u>Material</u>	<u>CAD</u>
<u>KBV250E</u>	2 1/2	8.450 in	11.900 in	3.047 in	120.00 gpm	PVDF	